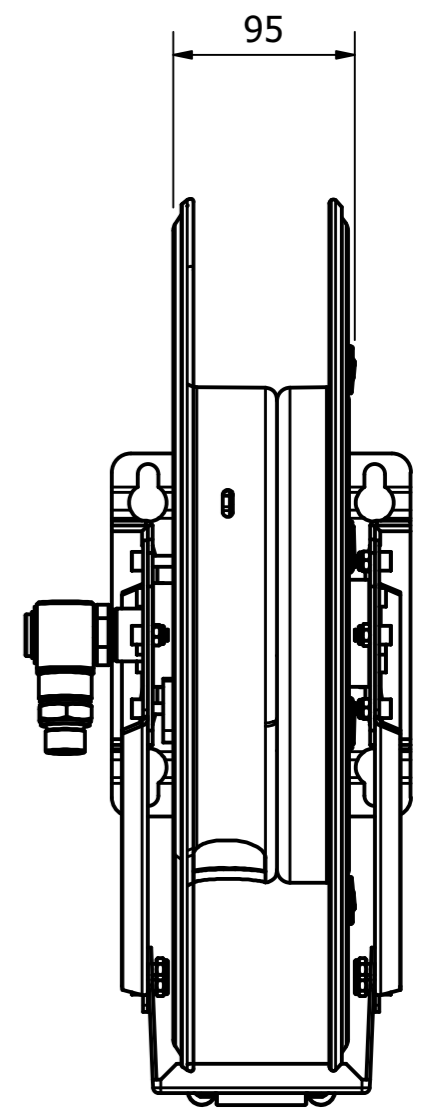
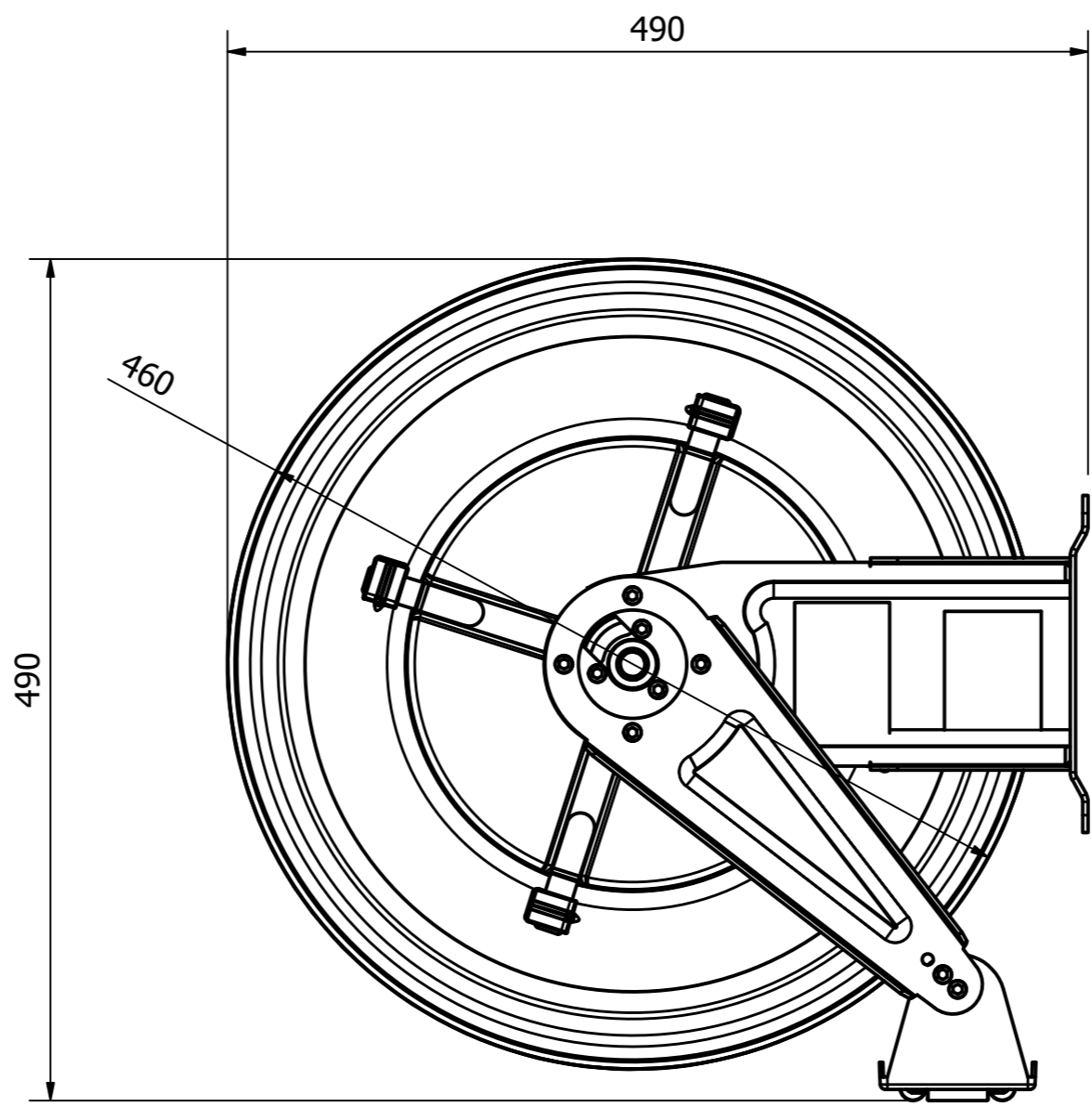
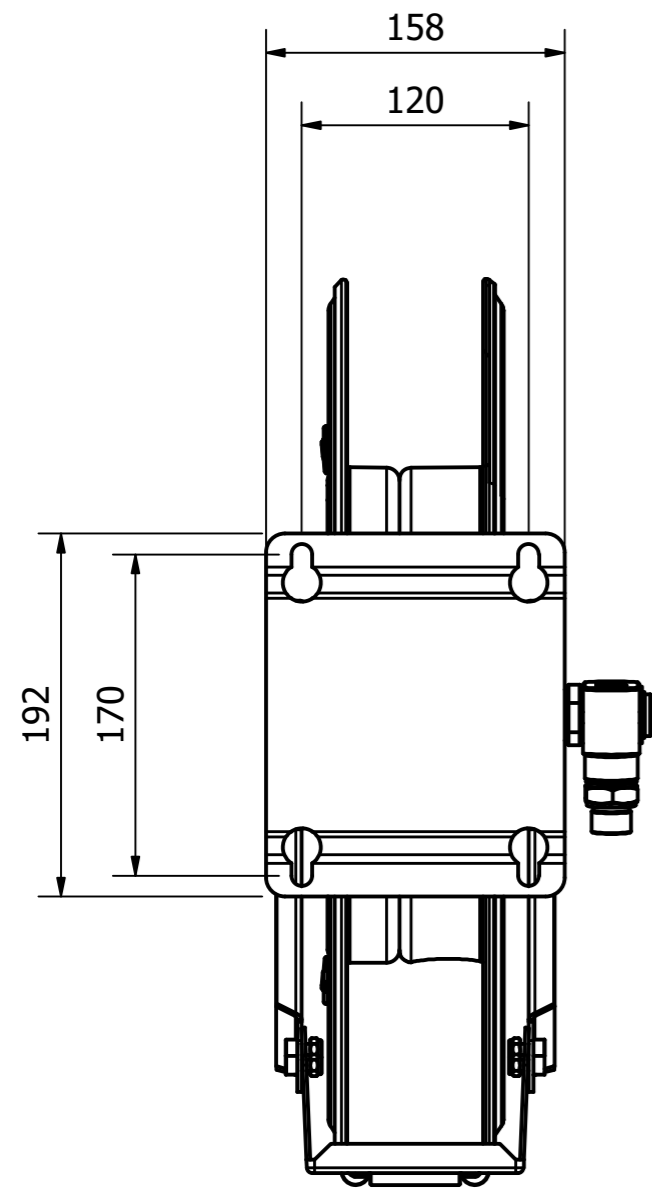
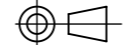


REVISION		
REV.	DESCRIPTION	DATE



MATERIAL:	
FINISH:	
SCALE:	1:5 AT A3 © ALL INTELLECTUAL PROPERTY RIGHTS RESERVED
TOLERANCES:	DIMENSIONS 2 DECIMAL PLACES (10.00) ±0.1mm DIMENSIONS 1 DECIMAL PLACE (10.0) ±0.2mm DIMENSIONS 0 DECIMAL PLACES (10.) ±0.5mm



ReCoila
 Unit 1/10 Melissa Place
 Kings Park NSW 2148
 Australia
 WWW.RECOILA.COM

Ph: 61 2 9621 8988
 Fx: 61 2 9621 7688
 sales@recoila.com

ISSUED FOR: REFERENCE	APPROVED:
MODEL F-460 / X-460	
NUMBER - PART REV. DWG REV	DATE
DRAWING: - .0	22/06/2021
SHEET 1 OF 1	